

# EVO-WF



## CONSTRUCTION

- End to end dimensions: manufacturer standard
- Antiblowout stem, antistatic
- ISO 5211 top flange
- Min. thickness according to ASME B16.34
- Fire safe design according to API STD 607 5th ed. and EN ISO 10497
- Wet materials according to NACE MR-01-75

## MATERIALS

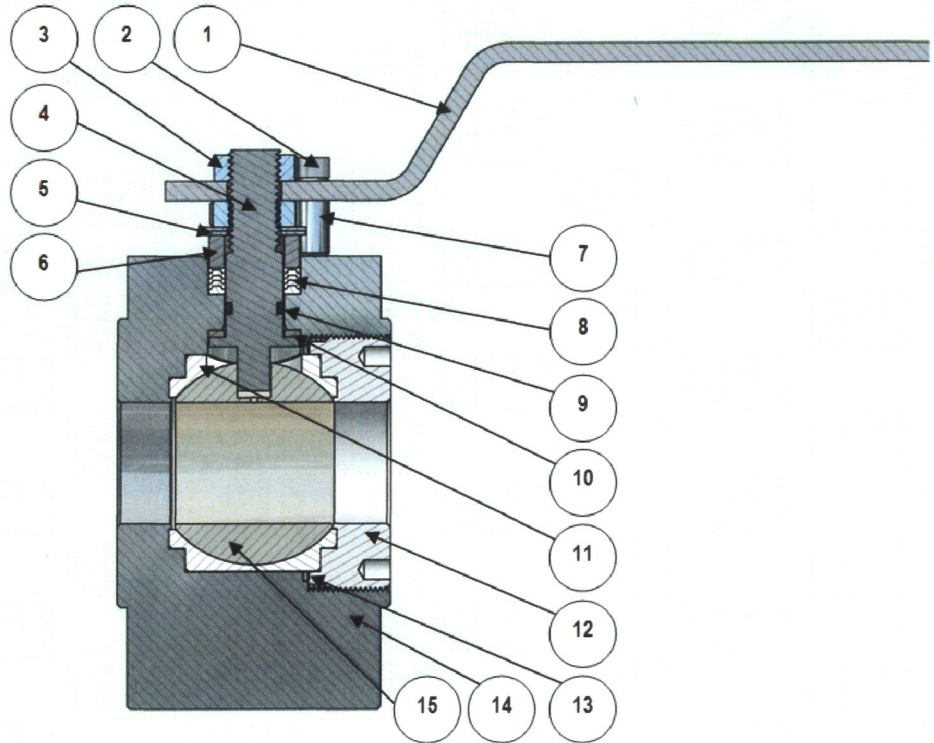
- Body: Duplex F51 and Superduplex F53/55, F44, LF2, SS grade 316, 316L, 304, 304L, 904L, Titanium B348 gr.2, Hastelloy®, Inconel®, other on request
- Ball: Duplex F51 and Superduplex F53/55, F44, SS grade 316, Hastelloy®, Inconel®, other on request
- Stem: Duplex F51 and Superduplex F53/55, F44, SS grade 316, Hastelloy®, Inconel®, other on request
- Seats: PTFE, RPTFE, Devlon, Peek
- Seals: PTFE Graphite, Viton
- Lever and stem fittings: SS grade 304 & SS grade 316 upon request

## FEATURES

- Wafer body
- Floating ball
- Full bore
- Integral seats on request

## PART LIST

- 1 LEVER
- 2 SOCKET HEAD SCREW
- 3 STEM NUT
- 4 STEM
- 5 SPRING WASHERS
- 6 SPACER
- 7 STOP
- 8 CHEVRON PACKING
- 9 O-RING
- 10 LOWER STEM GASKET
- 11 SEAT
- 12 INSERT
- 13 BODY GASKET
- 14 BODY
- 15 BALL



VALVE	VALVE	DN15	DN20	DN25	DN32	DN40	DN50
CLASS	MODEL	1/2"	3/4"	1"	1.1/4"	1.1/2"	2"
150	EVO-WF 150	x	x	x	x	x	x
300	EVO-WF 300	x	x	x	x	x	x
600	EVO-WF 600	x	x	x	x	x	x
900	EVO-WF 900	x	x	x	x	x	x
1500	EVO-WF 1500	x	x	x			
2500	EVO-WF 2500	x	x	x			

ACTUAL PRODUCTION RANGE